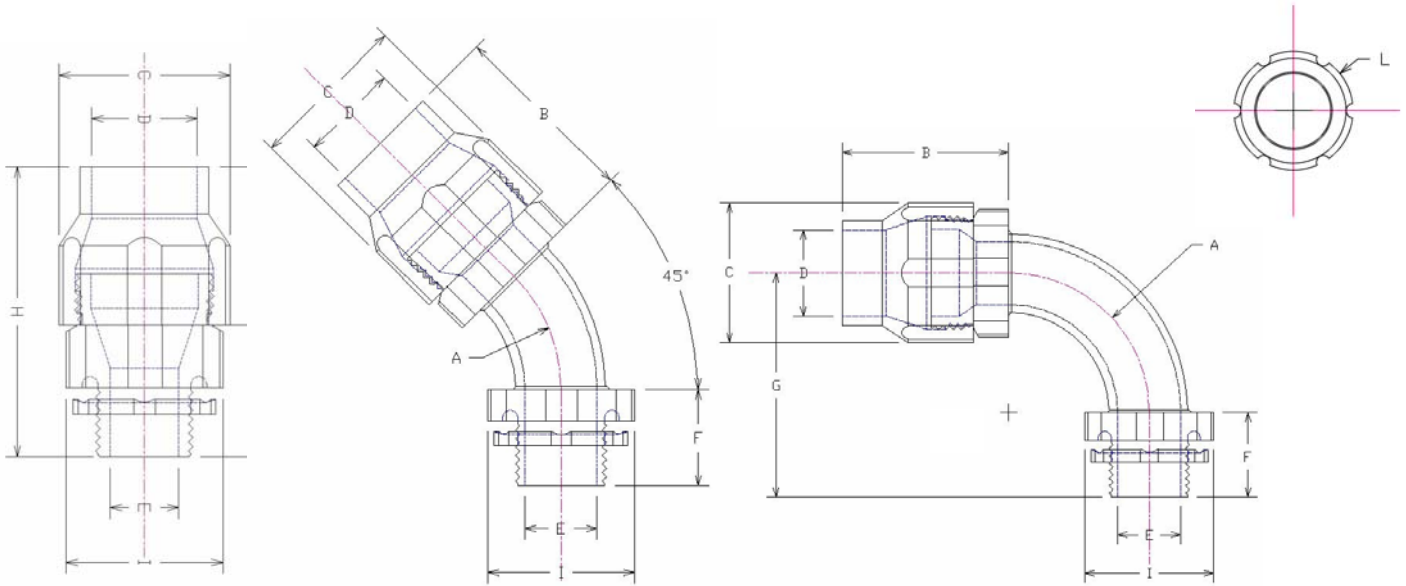


IPI CONNECTORS



Description	Part No.	Fitting Size	Dimensions										
			A	B	C	D	E	F	G	H	I	L	
1/2" Straight	3-050-00	1/2"									2.560		
1/2" 45°	3-050-45		1.325	1.775	1.500	0.925	0.568					1.375	
1/2" 90°	3-050-90							0.930		1.590			
1/2" Locking nut	3-050-LN												1.375
3/4" Straight	3-075-00	3/4"									2.750		
3/4" 45°	3-075-45		2.500	1.925	1.750	1.190	0.780					1.625	
3/4" 90°	3-075-90							0.910		3.125			
3/4" locking nut	3-075-LN												1.625
1" Straight	3-100-00	1"									3.300		
1" 45°	3-100-45		3.500	2.325	2.000	1.430	1.030					1.875	
1" 90°	3-100-90							1.125		4.312			
1" Locking nut	3-100-LN												1.875



Industrial Power, Inc.
 635 Sweeden Rd.
 Russellville, AR 72802
 479-498-2001
www.industrialpowerinc.net